

Just a Word

Your decision to purchase an ORIGINAL DR. MÜLLER Very High performance Suntanning Equipment was certainly an excellent one.

When designing the product our engineers and technicians took into consideration all recent developments in the tanning industry and created an innovative and truly state-of-the-art sunbed.

In our factory, first established in 1926, many different kinds of sun-tanning devices and therapeutic units are produced which are all dedicated to the same end – to make the beneficial effects of light available to everyone. For more than 70 years the brand "Original Dr. Müller" has pioneered in the development of UV- and IR-light devices for heliotherapy and the production of sun-tanning equipment has certainly profited from the factory's long experience in medical technology.

Read this manual carefully to ensure that your new Original Dr. Müller Sunbed performs at utmost efficiency.

For your convenience we have marked passages which we consider crucial for installation and maintenance of the sunbed with this symbol: →

For specific technical data according to lamp configuration, electrical connection and general tanning information, please refer to the separately enclosed pages which may vary according to different national standards and regulations.

TABLE OF CONTENTS

General Instructions

The Effects of Artificial Sunlight	3
Safety Instructions prior to first Operating the Unit	3
Safety Instructions prior to First Exposure	3- 4
Skin Types Exposure Times for different Skin Types	4
The Right Dosage Enjoy Tanning within Reasonable Limits	5

Assembly

Transportation and Packing	6
Overall Survey – all Components at a Glance	7
Bottom Structure	8
Top Structure	8
Top Assembly	9
Body Cooling Fan	9
Air Ducts & Cables	10
Ballast Tray	11
Electrical Installation	12
Exhaust Air	13
Operation	14
Acrylics	15
HID Lamps	16
Filters	17
Springs	18
<u>Service & Maintenance</u>	19-22

The Effects of Artificial Light

UV-radiation produced by Original Dr. Müller sun-tanning equipment does not differ from the radiation produced by the natural sun since the effective spectral range is one and the same.

However, the intensity of artificial sunrays as produced by sun-tanning equipment is not diminished by air pollution, the sun's varying altitude (during winter, for instance), or a cloudy sky and similar accidental factors. On the other hand, the aggressiveness of UV-radiation is not increased by environmental factors such as ozone depletion or other coincidences which increase the intensity of UV-radiation (e.g. sun exposure at the sea or in the mountains).

Though you should not expect Original Dr. Müller equipment to outperform the natural sun, there are three exceptions which give the preference to man-made sunlight. The artificial sun shines

- at your request (independent of weather and time of day)
- as long as necessary
- and often more intensive than the natural sun

Exposure to Original Dr. Müller equipment can produce the same effects as tanning in the natural sun but – if used correctly – without the risk of sunburn.

Please read this manual carefully before first operating the device and keep it in your files for further reference.

Safety instructions prior to first operating the sunbed:

Please observe the following instructions before first operating the sunbed:

This solarium must only be operated according to the currently effective VDE/EVU/TÜV standards – or equivalent national electrical standards at the place of installation.

- Use this sunbed only in combination with a timer.
- Do not tan in case of defective filter glasses (blue and/or clear filter glasses)
- Do not expose this unit to humidity. Do not operate this unit near to explosives.
- Do not jam or cover air outlets or cooling and exhaust air system.
- Do not operate this unit in case liquids or any solid materials should accidentally have got into the unit.
- Do not expose materials/fabrics which may fade or get damaged by UV-light to radiation produced by this unit.

Safety Instructions prior to first Exposure:

Please observe the following safety instructions prior to first exposure:

- UV-light may cause severe damage to skin and eyes.
- In case of skin diseases, symptoms of illness or indefinite complaints, as well as in case of medication, especially those which may increase your sensitivity to light, consult your physician before first using a sunbed.
- Avoid over-exposure at all times. Do not exceed recommended exposure times. In case of over-exposure, or if skin feels irritated and blisters, consult a physician immediately.

- Wear protective eye-goggles. Remove contact lenses.
- Apply no sunshields.
- Tan no more than once a day. Observe pauses between a series of tanning sessions.
- Children should not use sun-tanning equipment at all. Adolescents under age should be supervised by an adult person and exposure times should be considerable reduced.

Exposure Times for different Skin Types:

The world population is divided into six different skin types. Below, you'll find exposure times for skin types I-IV which are the most prominent ones in the Western-European part of the world. For detailed exposure schedules according to specific national regulations (i.e. USA) please see separate enclosure.

Persons with skin type 1 (extremely sensitive to sunlight) may eventually use this device. We strongly recommend however that the individual exposure schedule should be worked out by an experienced dermatologist.

→ Note: All exposure times are based on original low-and high-pressure lamps as provided by the manufacturer. Use of other lamps may result in different exposure times. Therefore use only compatible lamps as provided by OEM for replacement. The use of compatible lamps ensures that safety standards are maintained and that the sunbed works at maximum performance.

HAUTTYPENTABELLE + BESONNUNGSPROGRAMM							Allgemeine Empfehlung für			
für Original Dr. Müller							Version: CC - 80W/100W Niederdruckröhren			
Haut Typ	Typenbeschreibung	Typenbezeichn.	Hautfarbe	Reaktionen auf die Sonne Sonnenbrand Bräunung		Eigenschutzzeit in der Sonne ¹⁾	Version: VV - 140W/160W Niederdruckröhren			
							1. Woche	2. Woche	3. Woche	danach 1-2 x pro Woche
I	Haut: auffallend hell Sommersprossen: stark Haare: rötlich Augen: blau Brustwarzen: sehr hell	Keltischer Typ (2%)		immer	keine	5 - 10 Minuten				
II	Haut: etwas dunkler als I Sommersprossen: selten Haare: blond bis braun Augen: blau, grün, grau Brustwarzen: hell	hellhäutiger Europäer (12%)		immer	kaum	10 - 20 Minuten	ca. 5 - 8 Min.	ca. 8 - 10 Min.	ca. 10 - 12 Min.	ca. 15 Min.
							ca. 2 - 3 Min.	ca. 3 - 5 Min.	ca. 4 - 7 Min.	ca. 8 - 10 Min.
III	Haut: hell bis hellbraun Sommersprossen: keine Haare: dunkelblond, braun Augen: grau, braun Brustwarzen: dunkler	dunkelhäutiger Europäer (78%)		selten	durchschnittlich	20 - 30 Minuten	ca. 6 - 10 Min.	ca. 10 - 15 Min.	ca. 15 - 20 Min.	ca. 20 Min.
							ca. 5 - 8 Min.	ca. 8 - 10 Min.	ca. 8 - 10 Min.	ca. 10 - 12 Min.
IV	Haut: hellbraun, oliv Sommersprossen: keine Haare: dunkelbraun Augen: braun Brustwarzen: dunkel	mittelmeenschlicher Typ (8%)		kaum	schnell und tief	40 Minuten	ca. 10 - 15 Min.	ca. 15 - 20 Min.	ca. 20 Min.	ca. 20 - 25 Min.
							ca. 8 Min.	ca. 8 - 10 Min.	ca. 10 Min.	ca. 10 - 12 Min.
-Auszug aus der Philips Hauttypentabelle- (%)-ungefähre Verteilung in Mitteleuropa							Die Bestrahlungen in 40-Stunden-Abständen vornehmen			
1) Zeitraum für das erste Sonnenbad (ohne Lichtschutzmittel), bei der man noch keinen Sonnenbrand bekommt.							auch für Version: VC - 140W/100W Niederdruckröhren			

The Right Dosage – Enjoy Tanning within reasonable Limits

Persons with very delicate skin should observe a minimum interval of 72 hours between first tanning sessions.

In order to build a tan (and in order to enable the skin to increase its own sun shield for an extended exposure to the natural sun) it is recommended to tan twice a week during the first two weeks, then three times per week according to the recommended exposure schedule.

You will receive the best results by tanning slowly, gradually increasing exposure times and by avoiding over-exposure.

→ The individual erythema threshold is reached if several hours after tanning your skin gets or feels tight and irritated. Exposures should always be kept just below your individual erythema threshold. In case of doubt, reduce exposure times.

In order to obtain a healthy and gentle tan while avoiding eventual skin damage, observe the following general rule.

Do not take more than 50 tanning sessions per year – exposures in the natural sun included.

A tanning session in an Original Dr. Müller sun-tanning bed equals a 3-hour stay in the natural sun in our latitudes – during summer – under a cloudless sky- at noon.

TRANSPORT AND PACKING:

The 44-4 unit is packed into 2 boxes:

Box A: Contains Top and Sunbed – pre-assembled

Box B: Contains the Ballast Box

Please check boxes and unit immediately for eventual transport damages. All claims for transport damages have to be filed immediately with the forwarding company.

GENERAL INSTRUCTIONS FOR ASSEMBLY AND INSTALLATION

- Assembly and service work should only be performed by qualified and authorized personnel.
- For information on QDM'S service network and local representatives call your authorized distributor.
- Fill out the warranty form enclosed to this booklet and fax it to QDM, SFO. This will make it much easier to register the unit and keep a track record for eventual warranty claims or re-ordering of compliant spare parts..
- Keep this booklet available in your files for later use.

INSTALLATION AND OPERATION REQUIREMENTS

- For electrical requirements see Technical Specifications.
- The unit should be installed in a room with ambient temperature not exceeding 30°C (86°F). We recommend an average ambient temperature of 26°C and sufficient supply of fresh air (approx.- 2.500m³/h). There should also be sufficient exhaust air outlets.
- The minimum room size should be 2,5m x 2,0m. We recommend a room size of 2.8m x 2,3m with room height minimum 2.5m.
- Do not install the unit in rooms with exceeding humidity (more than 70%), or where it may get into contact with splash water. High humidity may endanger the safe electrical operation of the unit. Do not install the equipment close to explosives or other dangerous goods.

Keep in mind that UV-light might fade or damage some fabrics and take care that these materials are not exposed to UV-light emission. Don't put any towels, tissues or any other items on the unit.. This may block the air vents and cause the machine to overheat. Smaller items may accidentally fall into the machine and cause serious damage. Don't put any bottles or liquids (coffee cups) on the machine! Don't operate the unit if liquids or other materials have entered the interior of the tanning unit.

- **During assembly work and while servicing the unit, it has to be completely disconnected from the electrical mains supply.**

IMPORTANT:

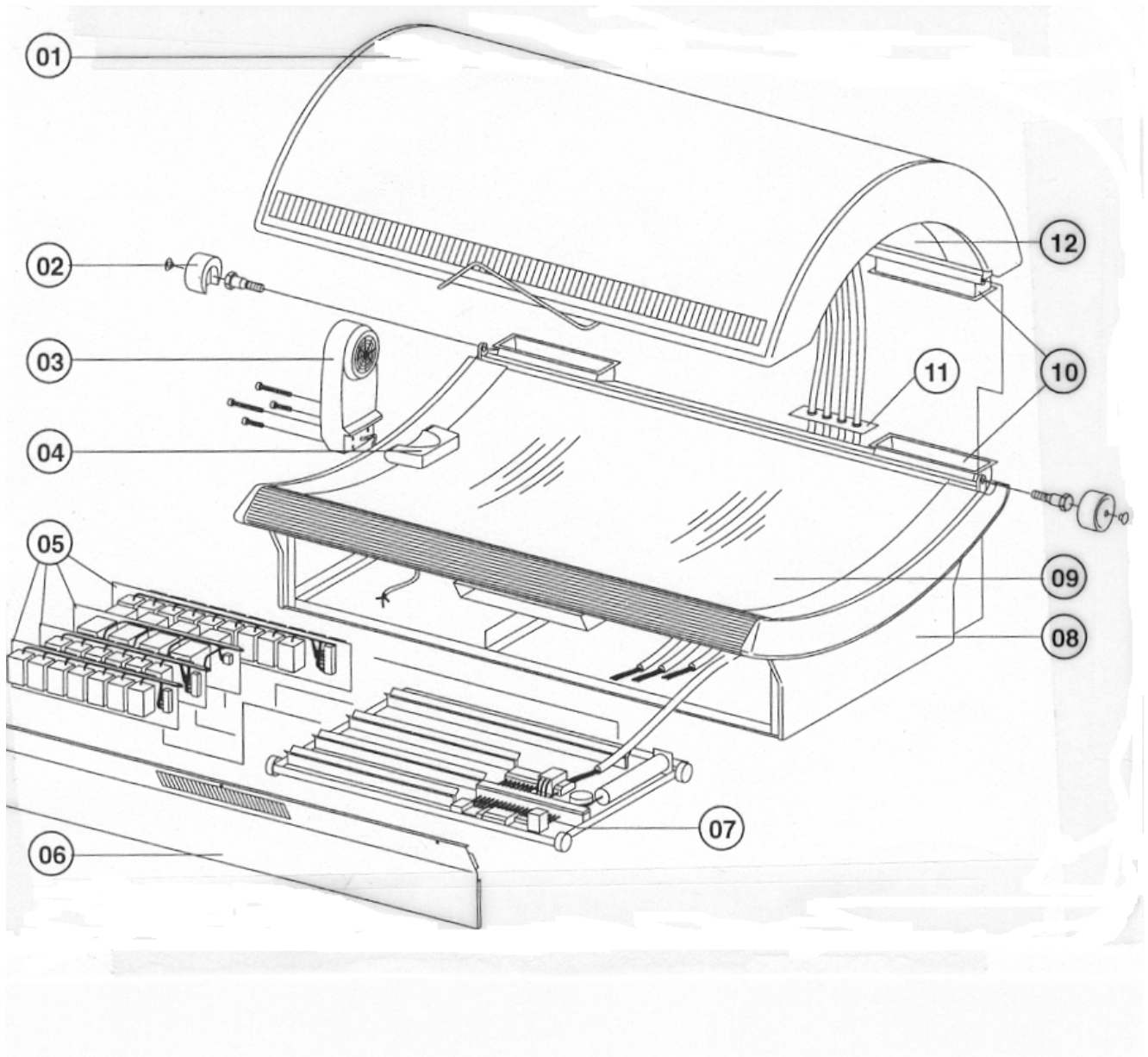
Before you bring the unit to the final place of installation, you should verify once again, the following issues:

- Power supply requirements
- Exhaust air (deducted air) requirements
- Fresh air (supplied air) requirements
- Local power supply regulations/electrical standards
- Fire prevention standards - if applicable

Make sure that - after installation - all doors can still be opened. Wiring for controls and electrical supply should be performed in such a way that they are not exposed to strain - nor should they be so loosely laid out that customers may stumble.

Prior to first using the tanning unit, after every service, and in regular intervals, the FI switch (all-pole circuit breaker) has to be tested for proper functioning.

Overall Survey – all components at a glance



(01) Top Structure	(07) Ballast Tray
(02) Endcaps for hinges	(08) Sunbed/Bottom Structure
(03) Body Cooling Fan /Standard	(09) Acrylic for Sunbed
(04) Pillow	(10) Air ducts (2 parts)-right and left
(05) Ballasts	(11) Cable fittings (with plate)
(06) Front Cover Plate	(12) Acrylic for top structure

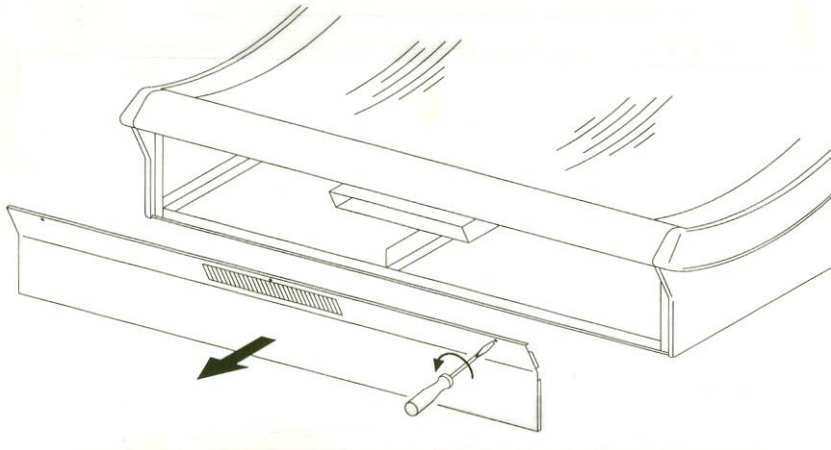
- **The Sunbed**

Move the sunbed/bottom structure to the final place of installation. Consider that you'll need some clearance space for finishing the installation and that all parts should still be accessible from all sides for further assembly and installation.

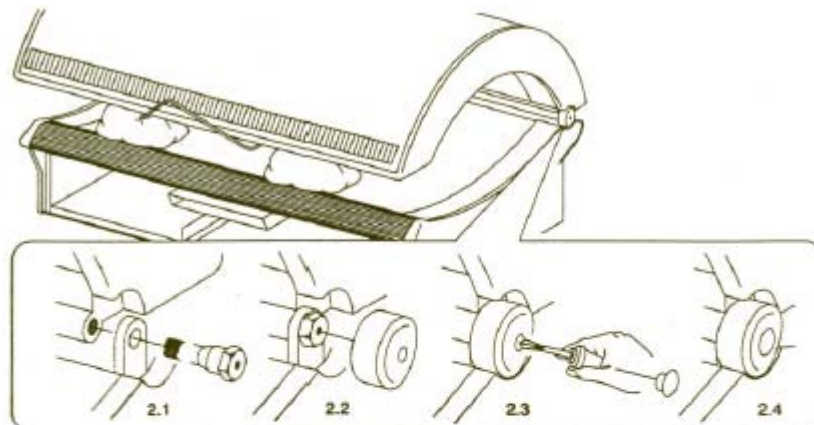
To make sure that the sunbed works without fault, take care that it is placed in a perfect level position with the help of a spirit level and the adjustment feet.

- **The Front Cover Plate**

Loosen the quick connect screws and remove front cover plate (see fig.1)



The Top Structure When installing pre-assembled Top and Sunbed unit – skip this step and go to next one "The Top". If you need to disassemble Top and Sunbed structure to get the unit into the room, proceed with this step in reverse order and then assemble as described below. Put some padding material on the sunbed to prevent eventual scratches. Then put the top carefully on the sunbed. Connect the top to the sunbed with the joint bolts (see fig. 5.2.1). Put the caps on the hinges

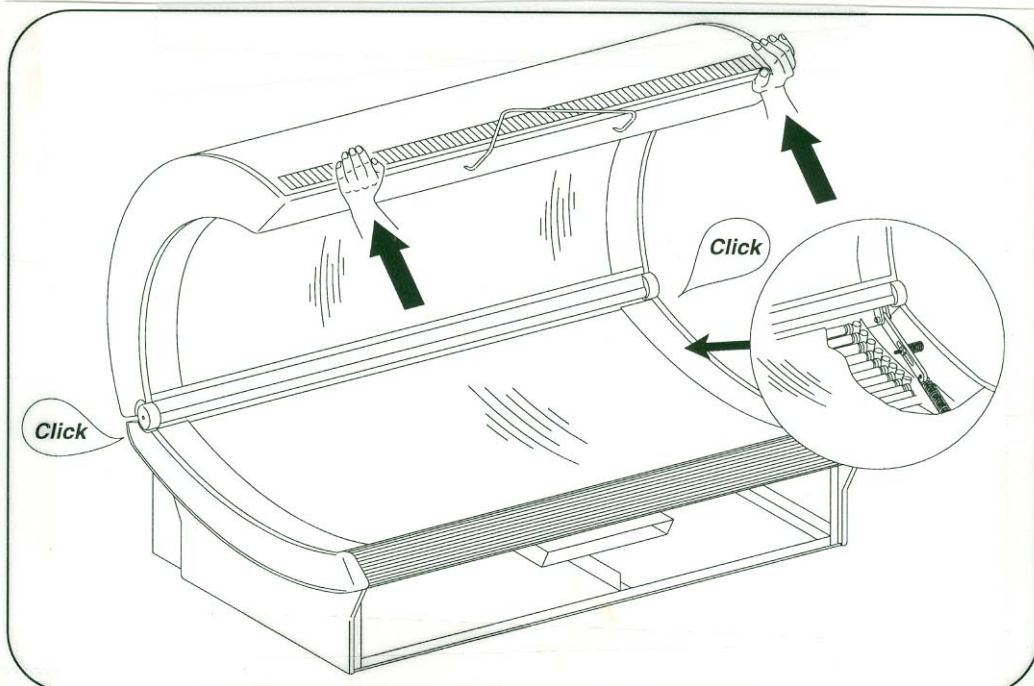


(see fig. 2.2 and 2.3) and cover threadholes with plastic plugs.

- **The Top**

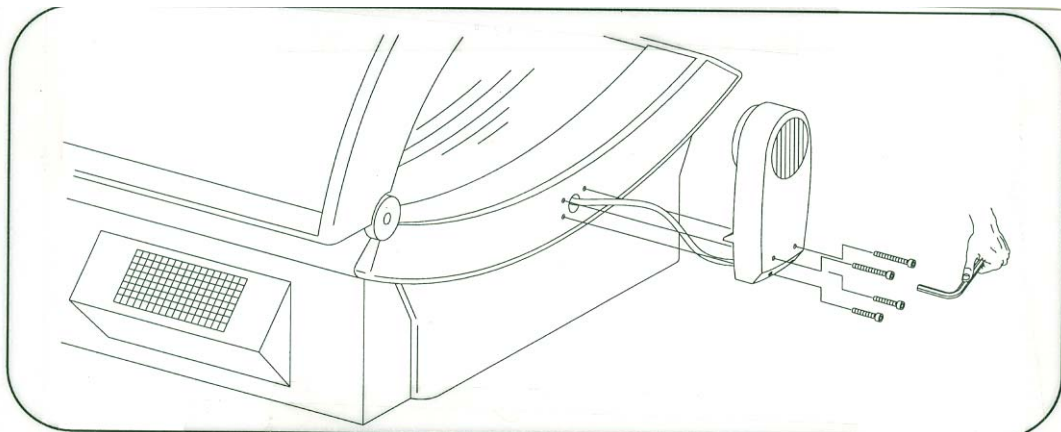
Lift the top until you can hear that the brackets have snapped into place (fig. 3).

- Make sure that the brackets are well locked on both sides. to make sure – look through the air ducts to check if they have snapped in.



- **The Body Cooling Fan**

Assembly fittings for the body fan are provided at the right (head-end) side of the sunbed. Put the conductor cable through the cable inlet provided in the sunbed endcap. Fasten screws and cover holes with white plastic plugs. Take care that cable does not get entangled with the springs or runs over electrical component (heat!). use long and short screws as shown in the picture below.

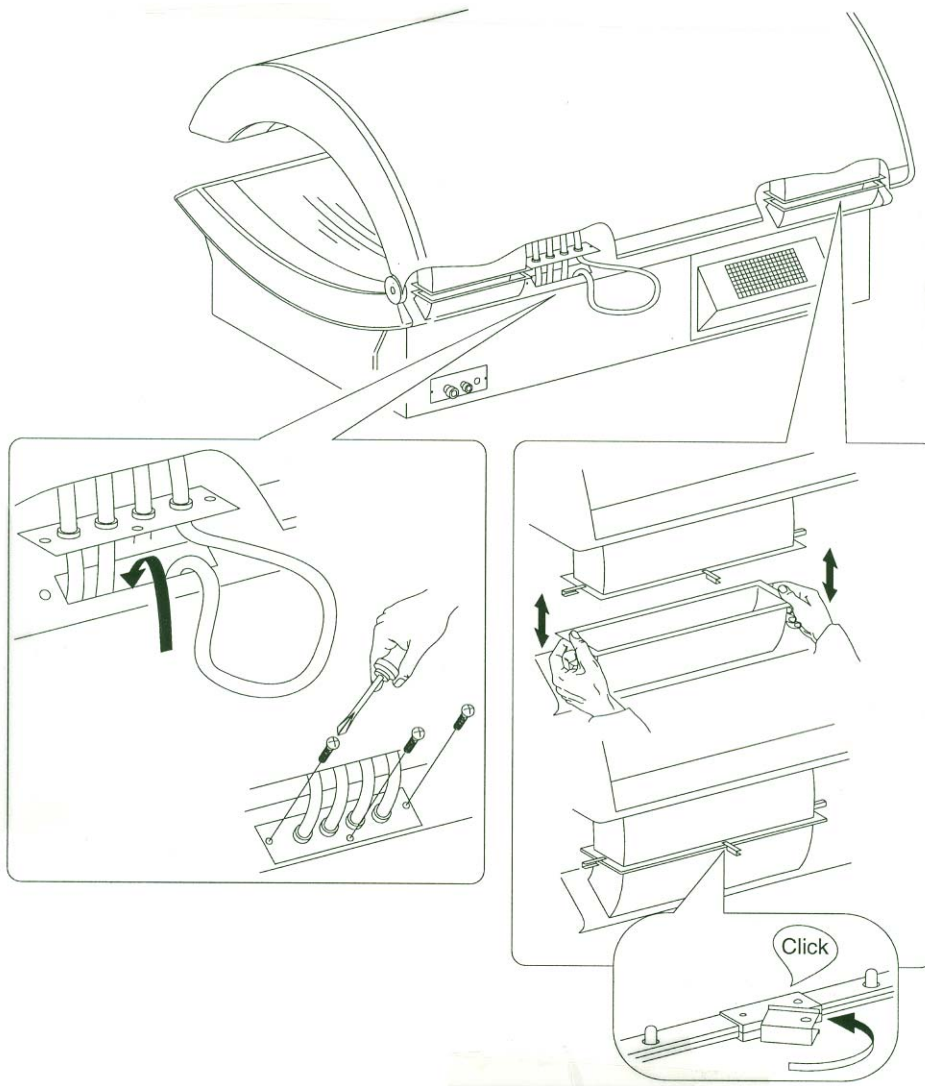


- **The Air Ducts**

Connect the air ducts (of top and sunbed) and close with metal clips (see fig below).

- **The Cables**

Put the cables from the top through the cable entry fitting provided at the sunbed. Fasten cable plate (see fig. below).

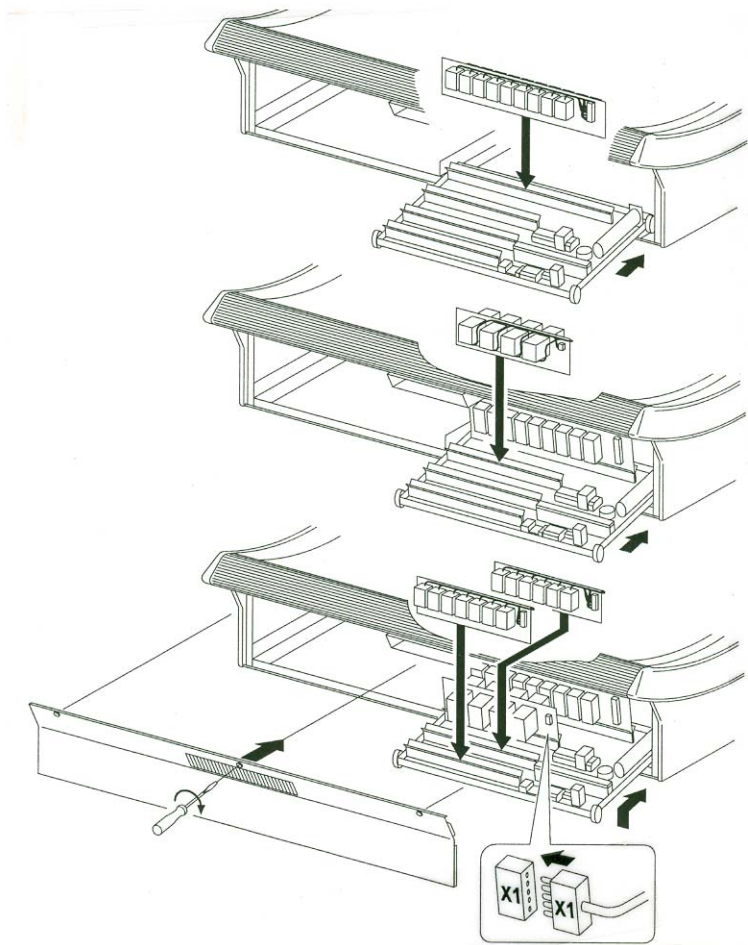


- **The Ballast Tray**

The ballast tray is equipped with wheels that go onto the rails provided in the base plate of the sunbed. Put the back wheels onto the rail. Then pull mains supply and control cable through the threaded joint at the rear and pull them onto the ballast box close to the terminals. Put the ballast tray slowly forward, plug in the pre-assembled ballast modules and fasten. Connect ballast plugs to corresponding terminals, i. e. X 1 from ballast to X1 on terminal (see figure below).

- **The Front Cover Plate**

Set in the front cover plate and secure. Make sure that it fits exactly into place. A built-in safety switch automatically prevents operation if the front plate is not installed correctly and the machine does not turn on.

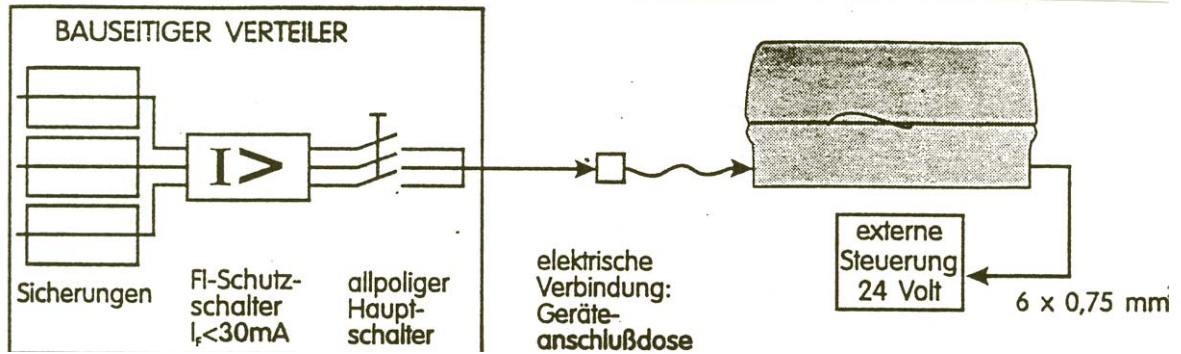


The unit is now completely assembled and can be connected to the mains supply.

- **Final steps prior to performing the electrical installation**

Verify that the electrical data on the type label correspond with the requirements of the local electrical supply system. The type label is located at the rear side of the sunbed, next to the cable inlets. An identical label is also attached to the ballast tray.

For the specific technical data of the unit you are going to install, please refer to the Technical Data page provided in this manual.



- Electrical connection to the mains supply system has to be performed by a qualified electrician according to current DIN/VDE standards or applicable electrical standards at the site of installation.
- An all-pole circuit breaker has to be provided at the site of installation – for details see Technical Data. Use only (1) FI circuit breaker per machine
- Take care that cables and wires don't get jammed or buckled or run over electrical components.

- **The Control Voltage**

As a standard, this unit is ready for connection to a 24V control device; optional 240V connection.

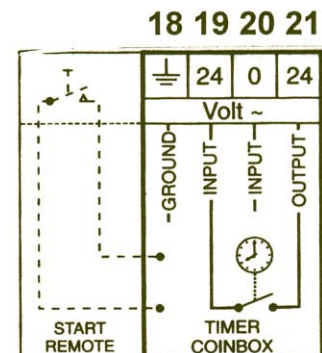
For connection to your control device (computer, coinbox etc) connect terminal X13, nos. 19 (24V Input) and 21 (24V Output)

Sun-Tanning units should only be used in connection with timer. The maximum timer interval should not exceed the maximum recommended exposure time.

The Control Voltage

... as a standard this unit is ready for connection to a 24V control device; optional 230V.

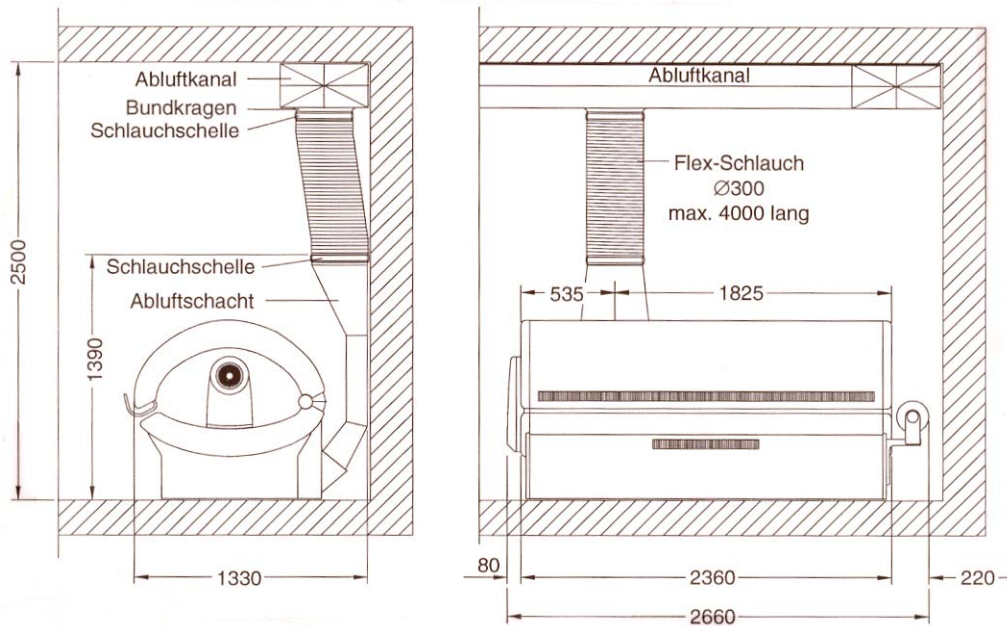
For connection to your control device (computer, coinbox etc.) connect terminal X 13, nos. 19 (24V Input) and 21 (24V Output)



- **Exhaust Air**

The exhaust air may be discharged either directly into the room or disposed of through a central exhaust air system. If warm exhaust air is led through a main ventilation system for more than 6m, an additional fan is necessary. The quantity of exhaust air that is discharged has to be replaced by a corresponding amount of fresh air supply. The supply air opening should be min. 1100cm³. This corresponds approx. to an opening of 220 x 500mm.

Samples for an optimum exhaust air connection and a survey of available accessories can be found in the brochure on "Original Dr. Müller Ventilation Systems for Very High Performance Equipment" – attached to this manual.



- The unit is equipped with a closed ventilation system. Prior to operating the unit, make sure that
 - the air ducts are connected
 - and
 - the acrylics in top and sunbed are correctly installed

If you operate the unit without acrylics or with open air ducts, the unit may eventually suffer serious heat damages when operated with disconnected air ducts or without acrylics..

- **The Control Panel**

The control panel is built into the top and easily accessible. It has the following functions:

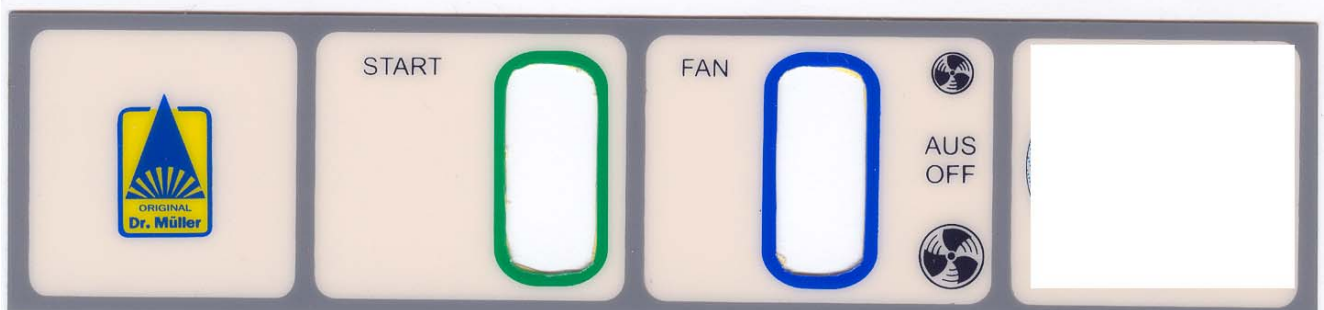
The first button "START" starts the machine immediately if the unit is not connected to a control system with remote start function. Depending on the type of control system you use, this control device may override the START-button function.

The second button "Fan" controls the body cooling fan. Choose between a more vigorous (big fan symbol) or a more gentle (small fan symbol) body cooling. Move the button into the center position to switch off the fan completely.

The third button "ON/OFF" is optional. It controls the HID facials and allows you to turn off the facials during a tanning session. After approx. 3 minutes (after cooling time) the facials may be switched on again. This feature is not available for units with 4 x 1000 Watt facials.

Another optional control button which is obligatory in some countries is the EMERGENCY STOP button – a big red button at the right hand side of the control panel. Pushing this button allows you to turn of the unit immediately at any time during a tanning session. The unit can only be re-started if the emergency stop button is unlocked again by pushing the button down while giving it a slight turn.

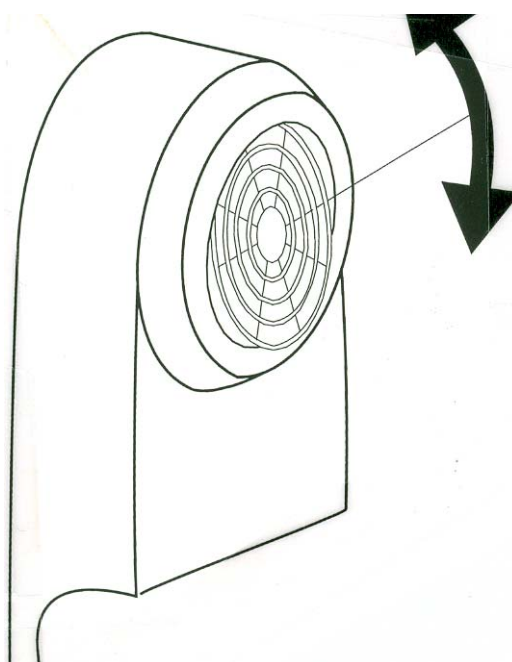
The EMERGENCY STOP button is an important safety feature and should be used in case of an emergency only. Don't abuse it as a regular "Stop" button.



- **The Body Cooling Fan (Standard Version)**

The body cooling fan is installed at the head-end of the sunbed and may be controlled with the fan button.

In addition, the fan may be individually adjusted by changing the position of



be individually adjusted by the air vents (up- or downwards).

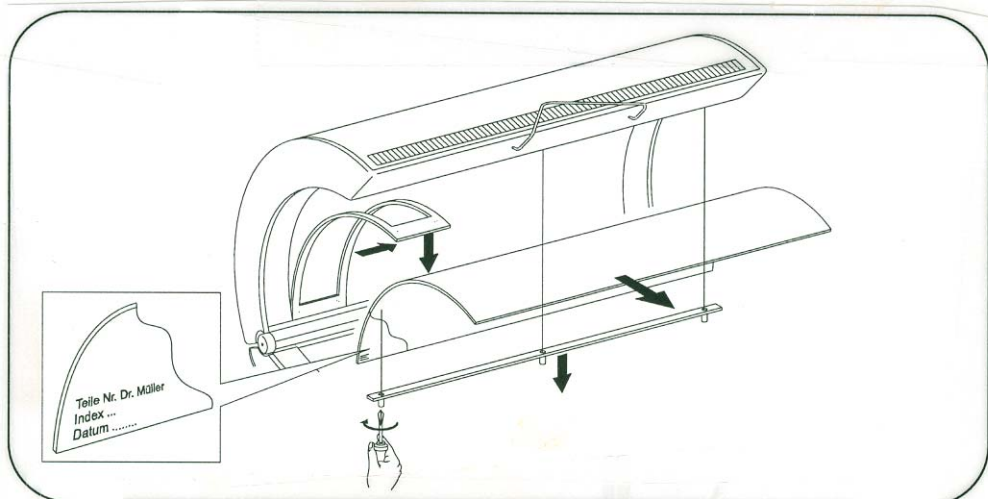
- **The Acrylics:**

The acrylics (plexis) in top and sunbed should be kept clean and without scratches. Residues of cosmetics may burn in and may have a negative impact on the tanning efficiency of the unit. High-quality replacement acrylics as originally supplied by the manufacturer are available from your distributor. For further information see also the section "Service and Maintenance" in this manual.

- **Top Acrylic:**

The Top acrylic is disassembled by loosening the quick connections of the front plastic rail ("plexi rail-acrylics top"). remove the strip and take the plexi carefully out of the rear guide rail.

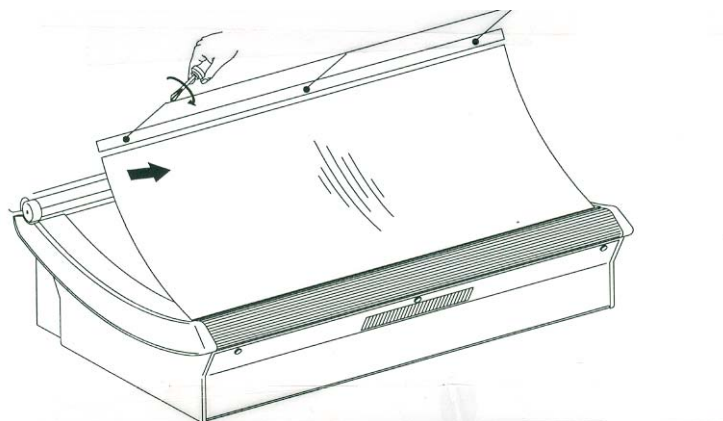
When re-instaling the acrylic , take care that the imprint with the article number is always to the lower left side of the head-end.



- **Sunbed Acrylic:**

The sunbed acrylic is disassembled by taking off the plastic strip ("plexi rail – acrylics sunbed") at the rear (loose quick connections). Lift the acrylic carefully off and pull it out off the front guide rail.

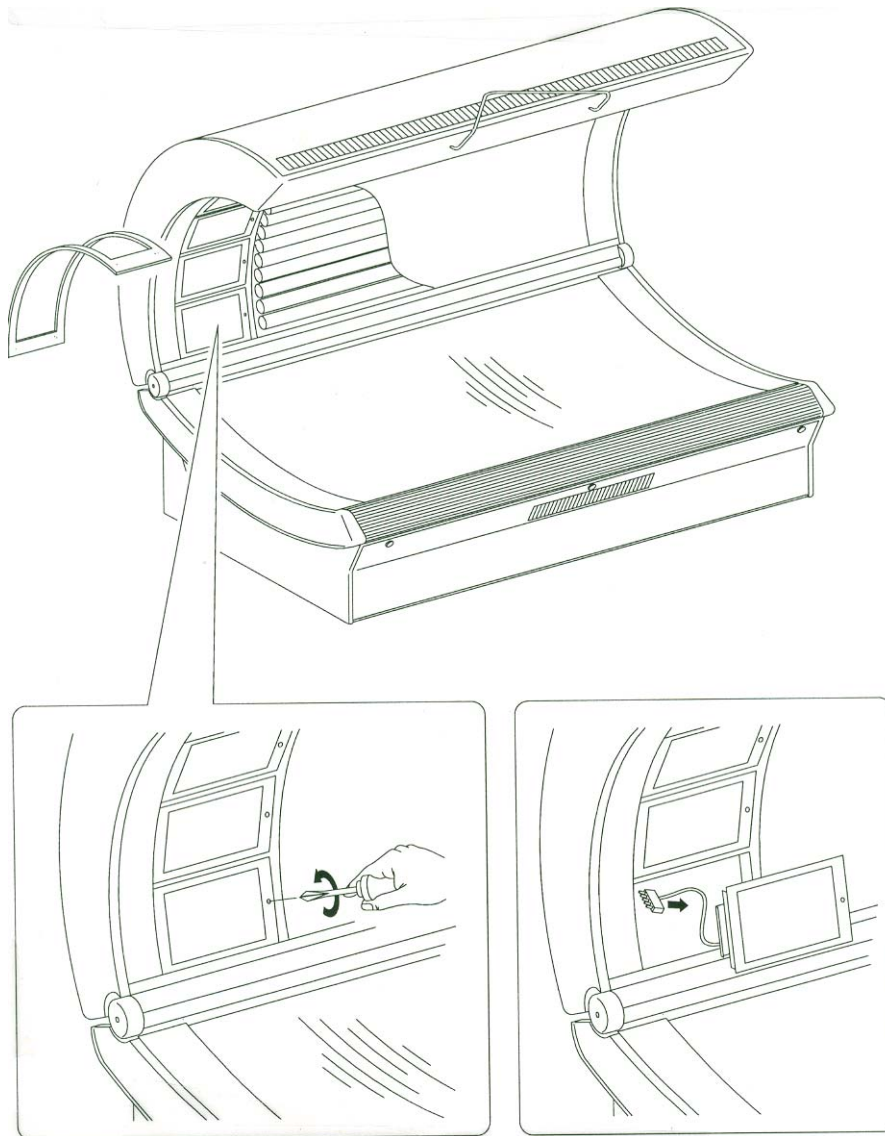
The acrylics should only be cleaned with a special liquid which may be ordered from your supplier. Never use abrasive cleaners or liquids that contain alcohol.



- **HID (=High-Intensity Discharge) Quartz Lamps**

The HID Quartz lamps ensure intensive tanning in the face and neck area. For maintenance/replacement of the quartz lamps, first remove the top acrylic as well as the black mask behind the acrylic.

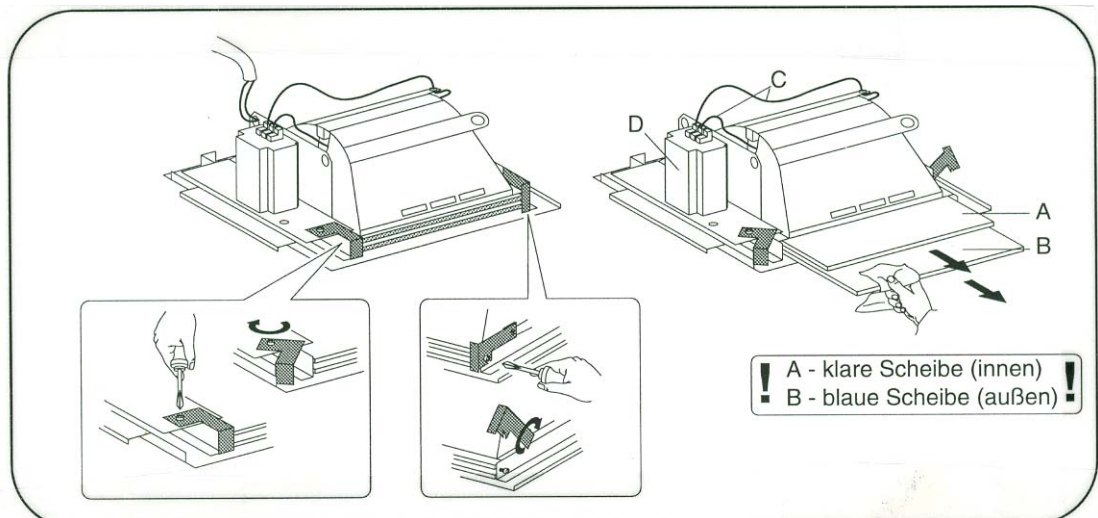
Each cassette can be removed individually. In order to remove the cassettes, first loosen the quick connection and tilt the cassette downwards until you can see the terminal connection. Disconnect the terminals and then remove the cassette completely. Don't let the cassette hang down from the top!



- **The Filters**

The filters are fixed with two metal angles. Loosen the screws and push these angles sideways to remove the filters (A = clear filter; B = blue filter). Use a soft cloth to prevent finger prints. Loose the wire connections (C) at the ignitors (D). The quartz lamps can now be removed by carefully pulling it out of the lampholder.

- When re-assembling, always put in the clear filter (A) first, then the blue filter (B)! The clear filter always needs to be closest to the lamp, the blue filter closest to the plexi.



- **The HID Quartz Lamp**

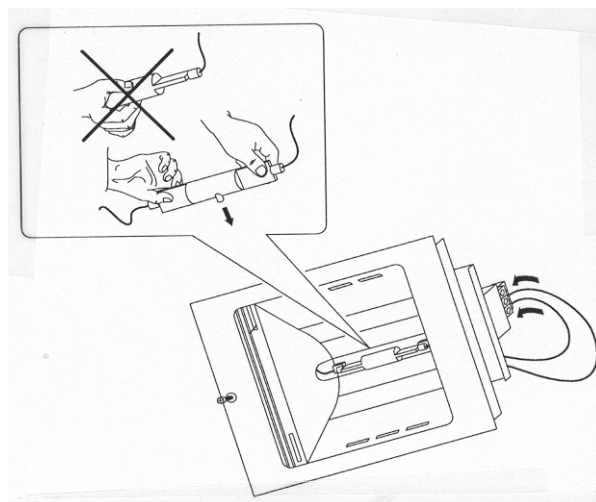
HID lamps should only be replaced by lamps of the same type as originally provided by manufacturer.

Take care that you don't touch the glass with bare fingers. In case that happens, clean the glass body carefully with pure alcohol. Observe instructions as provided with the lamp carefully.

The HID lamp has to be installed in such a way that the glass bolt shows to the inner side.

Test runs should be performed with re-assembled top acrylic only. Test runs without properly installed acrylics may cause heat problems and eventually cause serious damage to the unit.

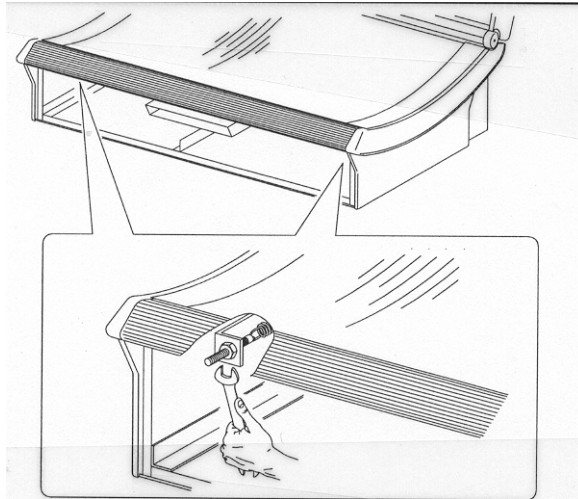
DO NOT OPERATE THE SUNBED WITHOUT OF WITH DEFECTIVE FILTERS. DO NOT LOOK INTO THE LAMPS. IF NECESSARY (FOR TEST RUNS), FOR A SHORT TIME ONLY AND ALWAYS WITH PROTECTIVE EYEWEAR.



- **The Springs**

The top structure can be individually adjusted to ensure that the lift system always works at maximum ease and performance. Remove the front cover plate (see figure below). The spring tension may be regulated by turning the adjustment screws. Turning the adjustment screws clockwise, increases the tension, turning the screws against the clock, relieves the tension.

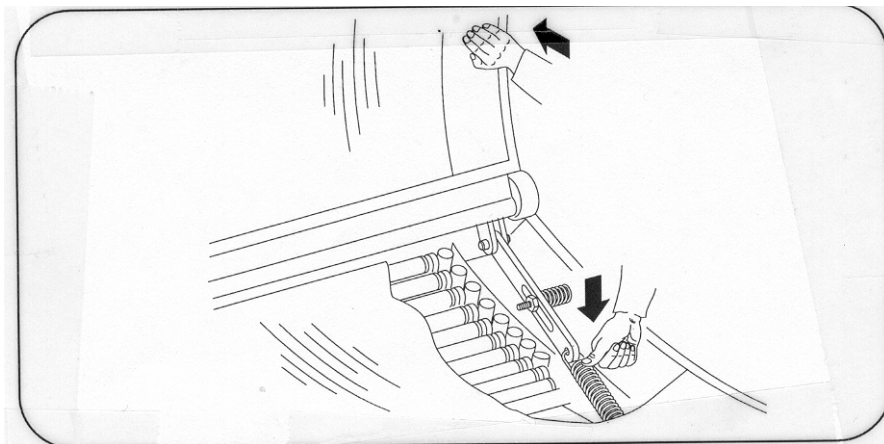
- Screws have to be turned evenly on both sides!



- **Disassembly of Top structure**

- Please see also separate sheet attached to the top!

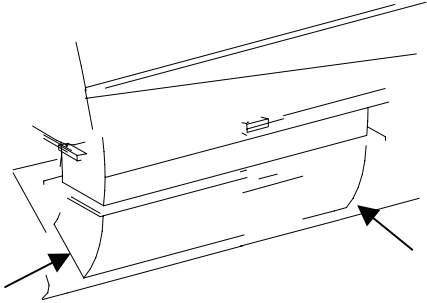
First remove the front plate and disconnect all wire connections, the plate of the cable fittings as well as the air ducts. then remove the sunbed acrylic and lift the top as much as possible. Then push the springs until the bracket bar loosens. The top structure may now be put down again. Remove the bolts at the hinges and take the top off.



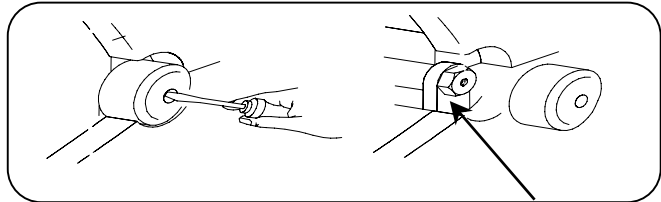
- **Additional maintenance recommendations for Model 44-4**

After 300 to 400 hours, we recommend the following maintenance procedures:

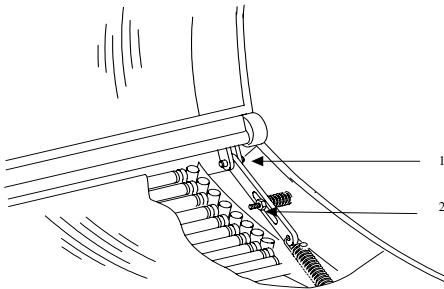
- Lubricate the air ducts with dry lubricant spray type "Chesterton":



- Lubricate the hinges with HHS2000



- Lubricate the spring (1) with HHS2000 and the bracket (2) with Chesterton.



Use only lubricants of the recommended brand to ensure proper functioning of the lift system.

- HHS2000 Order Nr. 40 2360 0705
- Chesterton Order Nr. 40 2360 0707

Service and Maintenance

- **Service and repair work should be performed by authorized service personnel only.**
- **Take care that for any maintenance work other than cleaning and dusting, the sunbed is completely shut off from the electrical supply system.**

Service and maintenance work should be performed on a regular basis. Diligent cleaning and timely replacement of lamps and other components that are subject to wear and tear, will keep your equipment in top condition and will ensure that your customers always get maximum tanning performance.

We also recommend routine inspections by authorized service personnel every 1000 hours or once a year - whichever comes first.

For maximum efficiency and for the longevity of your equipment, we recommend to observe the following cleaning and maintenance work on a regular basis:

Cleaning intervals:

Acrylics Acrylic shields should be cleaned and disinfected after each session. Residues of cosmetics, sweat or similar substances may burn in and affect the performance of UV-light permission. Lipid residues are a nourishing base for bacteria. Therefore you should always use a special cleaning solution that also disinfects the acrylic. Never use aggressive cleaning solutions or solutions that contain alcohol. Use no abrasives.

Once a week, remove the acrylic and clean and disinfect the acrylic shield from both sides. See also our instructions for "Disassembly and Assembly of Acrylics" in this manual.

Take care that no liquids enter the unit. If this should have happened, disconnect the unit immediately from the power supply (Master switch/FI-safety switch). Don't connect and operate the unit again unless all liquids have been completely removed.

Filters Filters should be thoroughly cleaned from dust once per week when removing the acrylic shield.

Facial Cassettes Once per month, facial cassettes should be cleaned and dusted. For disassembly and assembly of filters see also instructions for "Replacement of HID Lamps".

Fans In order to operate properly, fans have to be kept absolutely free from dust. Take care that dust, hair clogs or other materials do not obstruct the cooling system and vacuum air inlets carefully. Do so at least once a week.

Frame and metal plates The frame and metal plates have received a very durable, powder-coated finish. A mild cleaning solution and the disinfectant you also use for your acrylics are sufficient to keep the sunbed clean and shiny.

Light scratches can be polished with car wax. For deeper scratches, use touch-up paint with the original color available from your distributor.

Light scratches can be polished with car wax. For deeper scratches, use touch-up paint with the original color available from your distributor.

Reflectors The aluminum reflectors below the fluorescent lamps should be cleaned and dusted in regular intervals. Don't use any sharp cleaning solutions or abrasive materials that might damage the reflectors. For removal of acrylics and lamps see "Disassembly and Assembly of Acrylics".

Replacements - Intervals:

HID Quartz Lamps Always try to maintain maximum tanning performance by timely replacement of HID Quartz Lights. Recommended useful lamp life is about 800-1000 hrs. Individual operating conditions may accelerate or prolong this period. Check performance in regular intervals always using the same UV-A measuring device and same measuring procedure. Order replacement lamps in time.

Fluorescent Lamps Useful lamp life of fluorescent lamps varies depending on lamp type and manufacturer. The recommended useful lamp life for VHO lamps according to Cosmedico is 800 hrs; for 100W lamps max. about 500 hrs. Individual operating conditions, however, may affect the useful lamp life and result in shorter replacement terms. We recommend to check lamp performance in regular intervals always using the same UV-A measuring device and the same measuring procedure and to replace lamps in time before your customers notice that performance has considerably dropped.

Filters The aging effect on the blue filters is almost negligible. The clear filters also need to be replaced only when broken or defective. Always use filters as originally provided by the manufacturer. Never operate the sunbed without filters or with broken filters, either blue and/or clear filters. Check regularly, if there are any cracks in the filters and if safety device (micro-switch) is in working condition.

Filters are not likely to break through heat or light. Breakage or defects are mostly due to improper handling (transport/installation/assembly of filters). In case of a broken filter, take care that you remove all glass particles. Vacuum the cassette and the air vents in the top frame carefully.

Acrylics Replacement terms for acrylics are difficult to determine because this depends very much on the diligence with which you clean and maintain the acrylics as well as the wear and tear in your tanning salon. Sunbed acrylics are the most likely to suffer from scratches and pressure cracks and should be replaced on an as needed basis. Top acrylics that are well cleaned and maintained should last up to 3000 hours if there are no scratches or other damages.

Always keep replacement filters and lamps in stock to avoid down time.

Replacements and Accessories

In order to keep your sunbed at all times compliant, only original components and lamps as supplied by the manufacturer should be used as replacements. Compliant components and lamps as well as other spare parts and accessories are available from your authorized distributor.

Selected Spare Parts list for # Models 44-4

Article	Qty.	Notes
HID quartz Lamp 1000 US	4	
AUVL VXR 140W	25	
AUVL VX 160W	19	
44-4 Edition: AUVL VXR 160W	44	
Starter Cleo Power	44	
Lampholder #1458A with starter base	44	
Lampholder 1458B without starter base	44	
Acrylic 1995x1049x3 Orbit 44-4CV Top	1	
Acrylic 1997x 857x5 Orbit 44-4CV Sunbed	1	
Plexi rail (front protection) Orbit 44-4CV	1	
Plexi T-profile Orbit Sunbed	3	
Clips for T-Profile	6	
Uvisol Blue Filter 200x195 x2.5	4	
Soladur Clear Filter 200x195x2,5	4	
Main Fan Orbit/Omega D4E225/16myF	1	
Body Cooling fan – standard fan – Orbit 44-4CV-US	1	
Grid for Body cooling fan – Orbit Standard	1	
protective Eyewear Dr. Müller green, Schmerler Type 2255	1	
Pillow, white	1	

